

# INSULATED ROOF PANEL

## Standing Seam Roof Profile

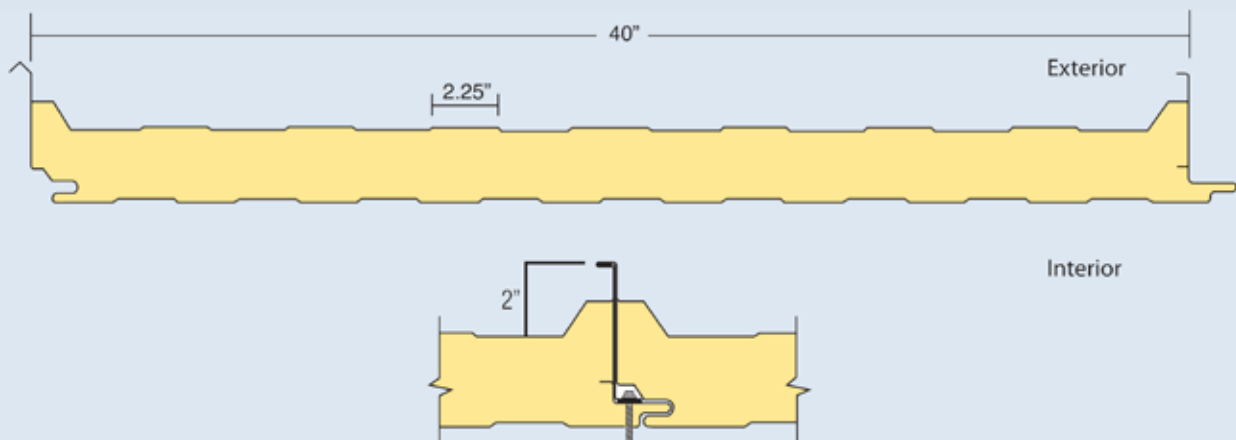
### STANDING SEAM PROFILE

These mechanically seamed roof panels are an ideal solution where energy efficient standing seam roof panels are required. The unique design of this panel allows for 26 gauge exterior and interior skins saving money and weight on a building.



### FEATURES AND BENEFITS

- The panel's standing seam joint is self-aligning and allows for easy sealant application at the panel joinery.
- This panel arrives on site in one piece and requires one simple step installation reducing construction time and costs.
- Standard exterior and interior steel surface is 26 gauge.
- The standing seam joint is 180 degree field seamed.
- The exterior surface is smooth to minimize dirt build-up.

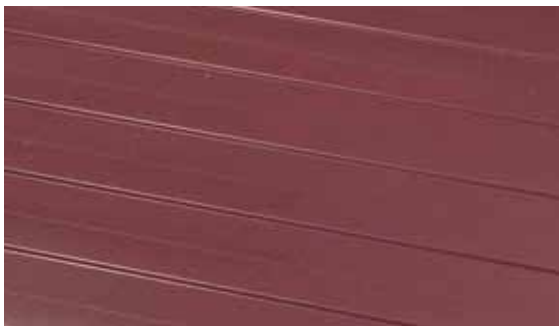


# INSULATED ROOF PANEL

## Standing Seam Roof Profile

### Tests/Approvals

<b>Thermal Resistance</b>	<b>ASTM C518</b>
<i>Determines panel insulating properties</i>	
<b>Air Leakage</b>	<b>ASTM E283</b>
<i>Measures air leakage through panel joints</i>	
<b>Water Penetration</b>	<b>ASTM E331</b>
<i>Measures water penetration through panel joints</i>	
<b>Fire Rating</b>	<b>FM 4880</b>
<i>Class 1 Fire Rating approval for wall and ceiling</i>	
<b>Structural</b>	<b>ASTM E72</b>
<i>Panels withstand positive &amp; negative wind loads</i>	



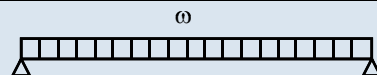
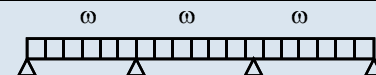
### PRODUCT INFORMATION

<b>Panel Thickness:</b>	3.25"	4"	5"	6"
<b>Insulating R-Values*:</b>	26	32	42	50
<b>Insulating U-Factors:</b>	U0.038	U0.031	U0.024	U0.020
<b>Panel Width:</b>	40"			
<b>Panel Length:</b>	8'0" minimum to 56'0" maximum			
<b>Insulation Material</b>	Polyisocyanurate			
<b>Joint Configuration:</b>	180 Degree Field Seamed			
<b>Exterior Gauge:</b>	26 ga.			
<b>Interior Gauge:</b>	26 ga.			
<b>Exterior Coating:</b>	SmartKote® (PVDF)			
<b>Interior Coating:</b>	Polyester			
<b>Exterior Finish:</b>	Smooth - No Emboss			
<b>Interior Finish:</b>	Light Emboss - Plank Profile			
<b>Accessories:</b>	Fasteners, concealed fastener clip, sealants, trims and flashing			
<b>Trim Finish:</b>	Smooth			

\*R Values are derived from thermal testing per ASTM C518 @ 40°F mean and ASTM C1363 @ 35°F mean. For project specific values, please contact your sales representative.

## Insulated Standing Seam Roof Panel

ALLOWABLE LOAD FOR STANDING SEAM ROOF PANELS BASED ON I/240 DEFLECTION

PANEL THICKNESS (IN)	PANEL WEIGHT (PSF) 26/26 Ga.	 SIMPLE SPAN (FT)								 MULTIPLE SPAN (FT)							
		5.0	6.0	7.0	8.0	9.0	10.0	11.0	12.0	5.0	6.0	7.0	8.0	9.0	10.0	11.0	12.0
		3.25"	2.48	94	80	58	46	38	32			84	70	61	53	46	40
4"	2.65	122	98	78	64	52	44	36		110	90	76	66	59	52	45	39
5"	2.86	153	128	103	85	71	58	45	36	139	114	96	83	74	66	60	52
6"	3.12	184	153	128	106	90	76	60	50	168	138	117	101	89	80	72	66

- Notes:
- 1) Spans shown are based on transverse load testing per ASTM E-72. Thermal effect due to temperature differentials have not been considered.
  - 2) Fastening schedules shall be based on project wind load requirements.